

**MANUAL**

MOUNTING – DISMOUNTING

ASSEMBLING – DISASSEMBLING  
INSTRUCTION

TECHNICAL  
INFORMATION

**ET-W-SI**  
**ET-WD-SI**



# DSI SERVICE – TEAM

## Sales Department DSI Hamm

Sabine Groneberg  
DSI Hamm Germany, Austria, Switzerland  
Phone: +49 (0) 23 85 772 212  
E-Mail: groneberg@dsi-group.net

Sandra Leszynsky  
Western Europe and UK, USA, Australia, Asia  
Phone: +49 (0) 23 85 772 214  
E-Mail: leszynsky@dsi-group.net

Katrin Poth  
France, Spain, Portugal  
Phone: +49 (0) 23 85 772 215  
E-Mail: poth@dsi-group.net

Iryna Matyak  
Eastern Europe  
Phone: +49 (0) 23 85 772 216  
E-Mail: matyak@dsi-group.net

## Sales Department DSI International

CL2  
Joost Samyn  
Sales Representative  
Western Europe  
Molenbergstraat 15  
1700 Dilbeek  
Belgium  
Phone: +32 24 52 70 55  
Mobil: +32 49 134 39 00  
E-Mail: samyn@dsi-group.net

DSI UK  
Jeff Garrity  
Service Centre  
c/o Pegler Yorkshire  
ST Catherine's Avenue  
Doncaster, South Yorkshire  
DN4 8DF  
United Kingdom  
Phone: +44 13 02 560 190  
Mobil: +44 78 02 346 664  
E-Mail: garrity@dsi-group.net

Keg Service  
Tadeusz Gonciarczyk  
Sales Representative  
Eastern Europe  
UL. Walowa 3  
51-523 Wroclaw  
Poland  
Phone: +48 71 34 66 632  
Mobil: +48 50 51 54 152  
E-Mail: biuro@keg-service.pl

OJA  
Olaf Jakob  
Sales Representative  
Germany, Austria, Switzerland  
Wortmannsweg 14  
44149 Dortmund  
Germany  
Phone: +49 (0) 231 22 50 740  
Fax: +49 (0) 231 22 50 741  
E-Mail: o.j.a@t-online.de

## QUALITY AND SAFETY



Dear customer,

please study this manual thoroughly. Incorrect assembly or disassembly may damage the fitting and can cause harm to product or person.

Specialised sealing systems made of high-grade materials are in daily utilisation with all our types of extractor tubes. Due to continuous improvement of our technology we are able to equip all D-type and S-type systems with a five-year warranty.

# LIST OF CONTENTS

1. Mounting Instruction
2. Dismounting Instruction
3. Disassembling Instruction
4. Assembling Instruction
5. Tool List
6. Technical Information
7. Connections

# MOUNTING INSTRUCTION

## EXTRACTOR TUBE ET-W-SI / ET-WD-SI

### 1. Mounting Instruction

ET-W-SI



ET-WD-SI



# MOUNTING INSTRUCTION

## EXTRACTOR TUBE ET-W-SI / ET-WD-SI

Fig. 01



1. Moisten the extractor tube with water.

Fig. 02



2. Check the keg neck is clean. Clean the keg neck from any contaminations.

Fig. 03



3. Check the sealing ring is not damaged and is positioned correctly.

# MOUNTING INSTRUCTION

## EXTRACTOR TUBE ET-W-SI / ET-WD-SI

Fig. 04



4. Check if lock/safety is O.K. Insert the extractor tube straight.

Fig. 05



5. Push in the extractor tube by hand. The safety latch will recess and click back after it has passed the keg neck.

Fig. 06



6. Tighten the extractor tube (rotate it clockwise) e.g. with the DSI screw-in/screw-out tool and torque-wrench. The mounting torque (continuous) must be  $80 \pm 5$  Nm.

# MOUNTING INSTRUCTION

## EXTRACTOR TUBE ET-W-SI / ET-WD-SI

Fig. 07



7. Remove the screw-in/screw-out tool. The keg is ready for use now.



# DISMOUNTING INSTRUCTION

## EXTRACTOR TUBE ET-W-SI / ET-WD-SI

### 2. Dismounting Instruction

ET-W-SI



ET-WD-SI



# DISMOUNTING INSTRUCTION

## EXTRACTOR TUBE ET-W-SI / ET-WD-SI

Fig. 08



1. Decompress the keg, e.g. by means of the DSI decompression and removal tool.

Fig. 09



2. Unscrew the extractor tube (rotate it counter-clockwise) with the DSI screw-in/screw-out tool.

Fig. 10



3. Connect the removal tool like a normal dispense head and press down the handle till it clicks. The safety latch will recess.

# DISMOUNTING INSTRUCTION

## EXTRACTOR TUBE ET-W-SI / ET-WD-SI

Fig. 11



4. Take out the extractor tube and disconnect the removal tool.

# DISASSEMBLING INSTRUCTION

## EXTRACTOR TUBE ET-W-SI / ET-WD-SI

### 3. Disassembling Instruction

ET-W-SI



ET-WD-SI



# DISASSEMBLING INSTRUCTION

## EXTRACTOR TUBE ET-W-SI / ET-WD-SI



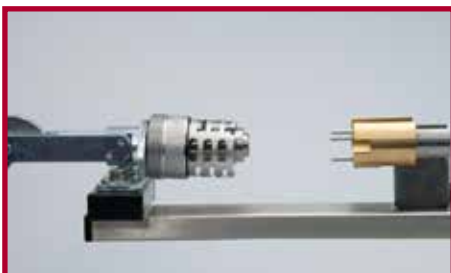
1. Put the extractor tube in the tool. Make sure that the three pins of the tool fit into the three holes in the bottom of the extractor tube plate.



2. Pull the handle forward to compress the spring. Push the safety latch slightly inwards. Pull the body downwards and turn it anticlockwise until it is unlocked.



3. Move the body upwards and connect it to the tool by turning the body 90°.



4. Push the handle backward. Take the subassy out. Take the body off.



5. Take off the remaining parts. The extractor tube is disassembled.

# ASSEMBLING INSTRUCTION

## EXTRACTOR TUBE ET-W-SI / ET-WD-SI

### 4. Assembling Instruction

ET-W-SI



ET-WD-SI



# ASSEMBLING INSTRUCTION

## EXTRACTOR TUBE ET-W-SI / ET-WD-SI



1. Replace the sealing ring on the body and the main seal. Assemble all parts.



2. Connect the body to the assembling tool. Put the subassy in the tool. Make sure that the three pins of the tool fit into the three holes in the bottom of the extractor tube plate. Push the safety latch slightly inwards.



3. Pull the handle forward to compress the spring.



4. Pull the body downwards and turn it clockwise until it is locked to the extractor tube plate. Make sure that the safety latch sticks through the big opening in the body.



5. Push the handle backward in order to tension the spring and take out the extractor tube. Please check the correct positions of the seals and the safety latch.

# TOOLS

## EXTRACTOR TUBE ET-W-SI / ET-WD-SI

### 5. Tool List

ET-W-SI



ET-WD-SI





# TOOLS

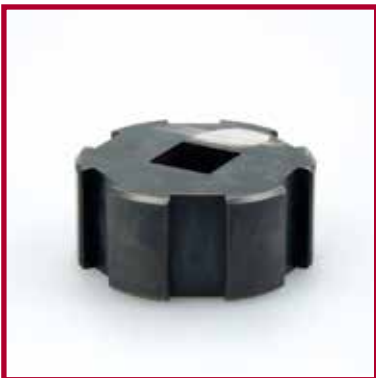
## EXTRACTOR TUBE ET-W-SI / ET-WD-SI



### 1. Removal tool for:

ET-W-SI 2 lugs: part number 026578.2

ET-WD-SI 2 lugs: part number 027987.3



### 2. Screw-in/screw-out tool:

part number: 025521.1



### 3. Assembling/disassembling tool for:

ET-W-SI 2 lugs: part number 026664.0

ET-WD-SI 2 lugs: part number 028437.2

# TECHNICAL INFORMATION

## EXTRACTOR TUBE ET-W-SI / ET-WD-SI

### 6. Technical Information

ET-W-SI

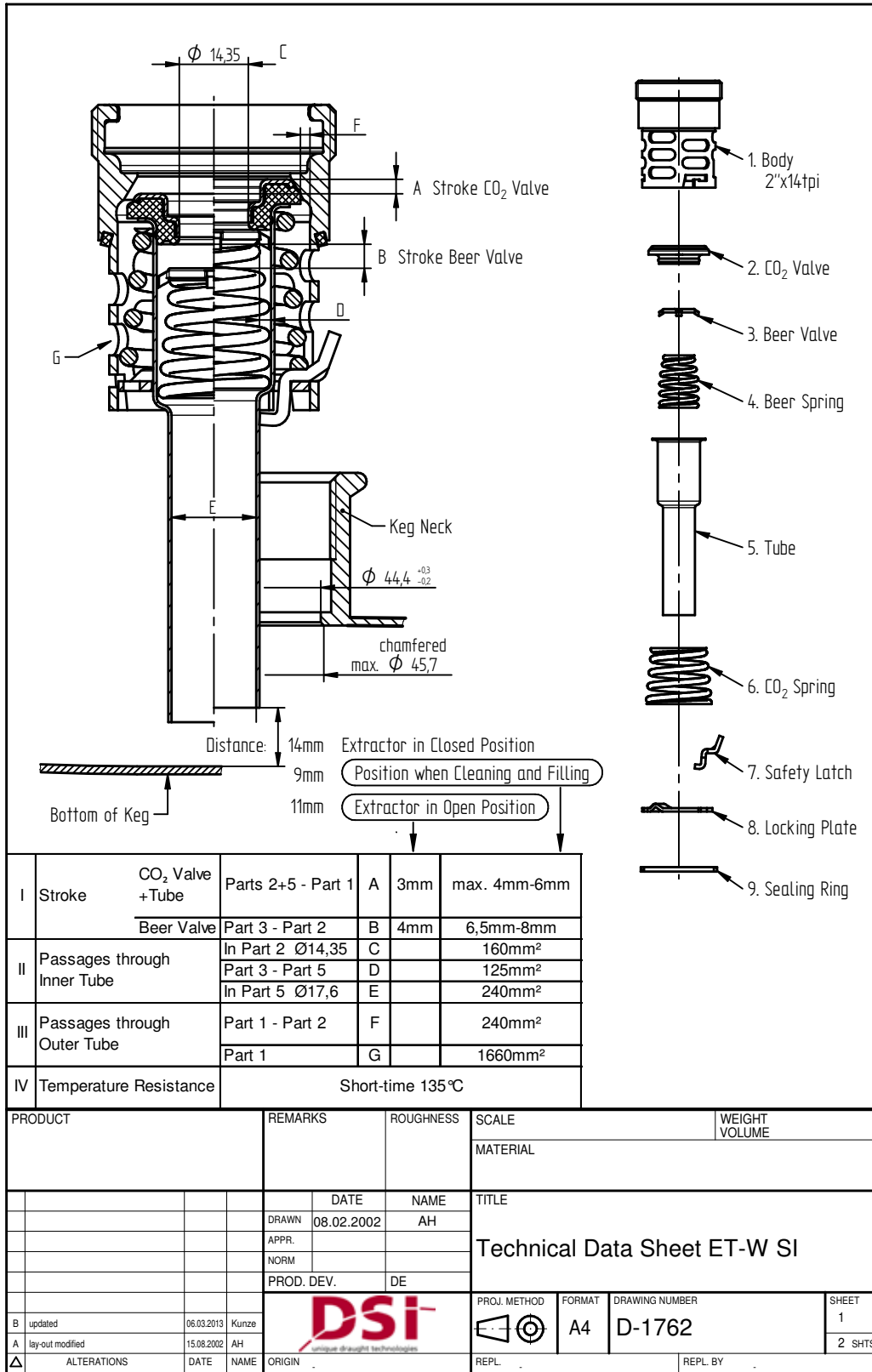


ET-WD-SI



# TECHNICAL INFORMATION

## EXTRACTOR TUBE ET-W-SI

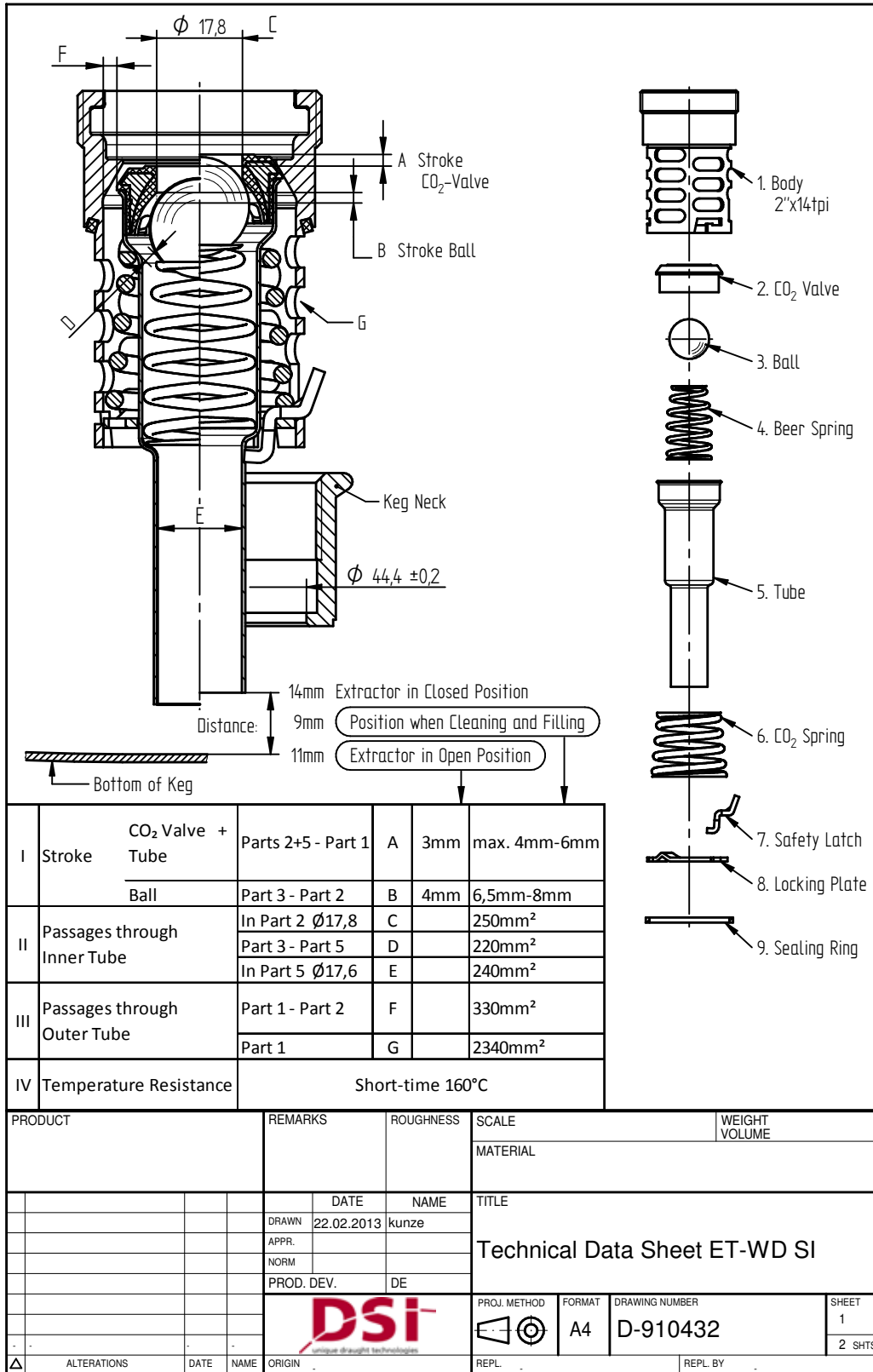


DSI Getrankeautomaten GmbH.  
If in doubt, please ask.  
Samples are required after each revision.

This drawing is the property of Dispense Systems International.  
The information is confidential and should not be copied for  
any other purpose without the prior written permission of

# TECHNICAL INFORMATION

## EXTRACTOR TUBE ET-WD-SI



# CONNECTION

## EXTRACTOR TUBE ET-W-SI / ET-WD-SI

### 6. Connection

ET-W-SI

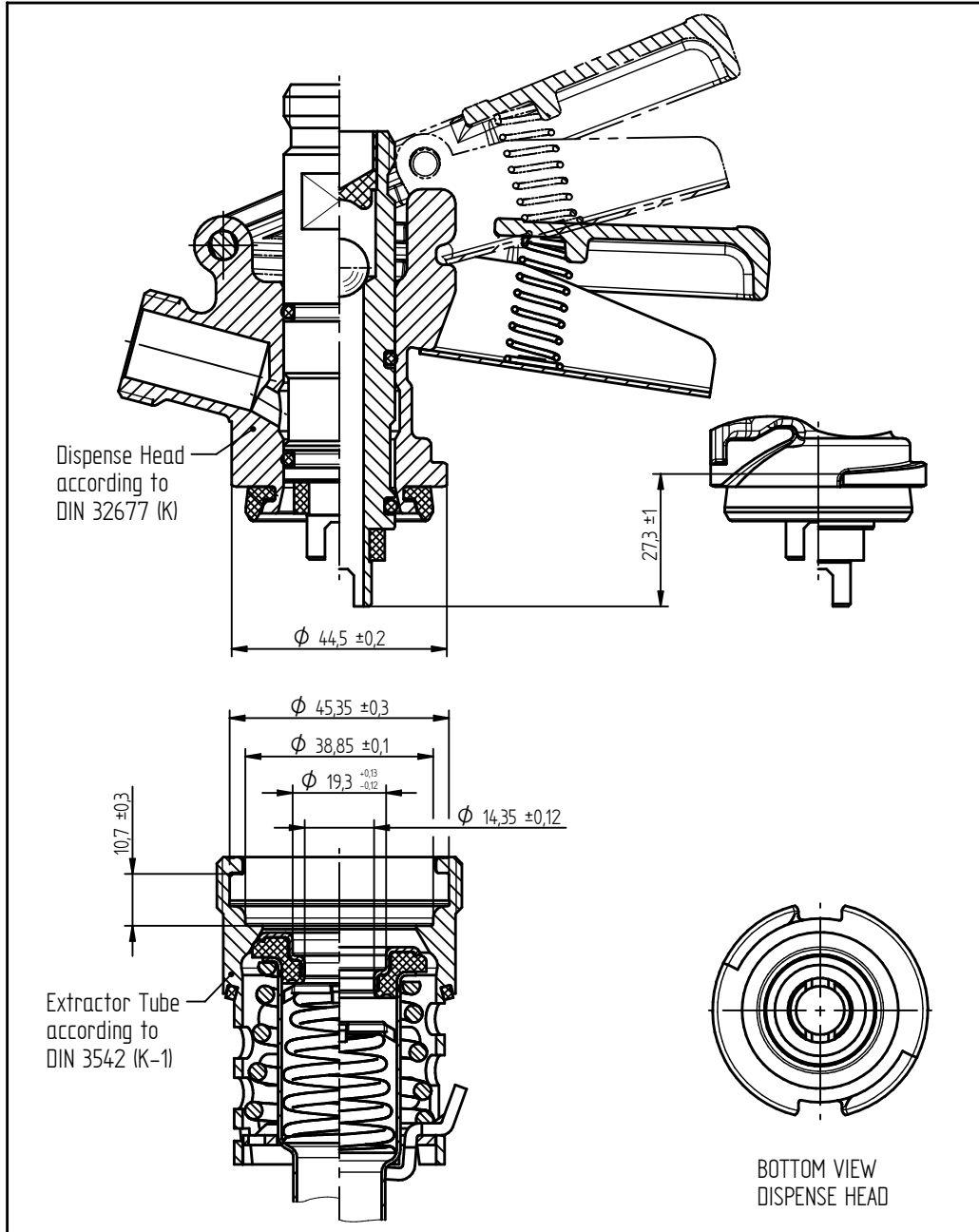


ET-WD-SI





# CONNECTION

## EXTRACTOR TUBE ET-W-SI



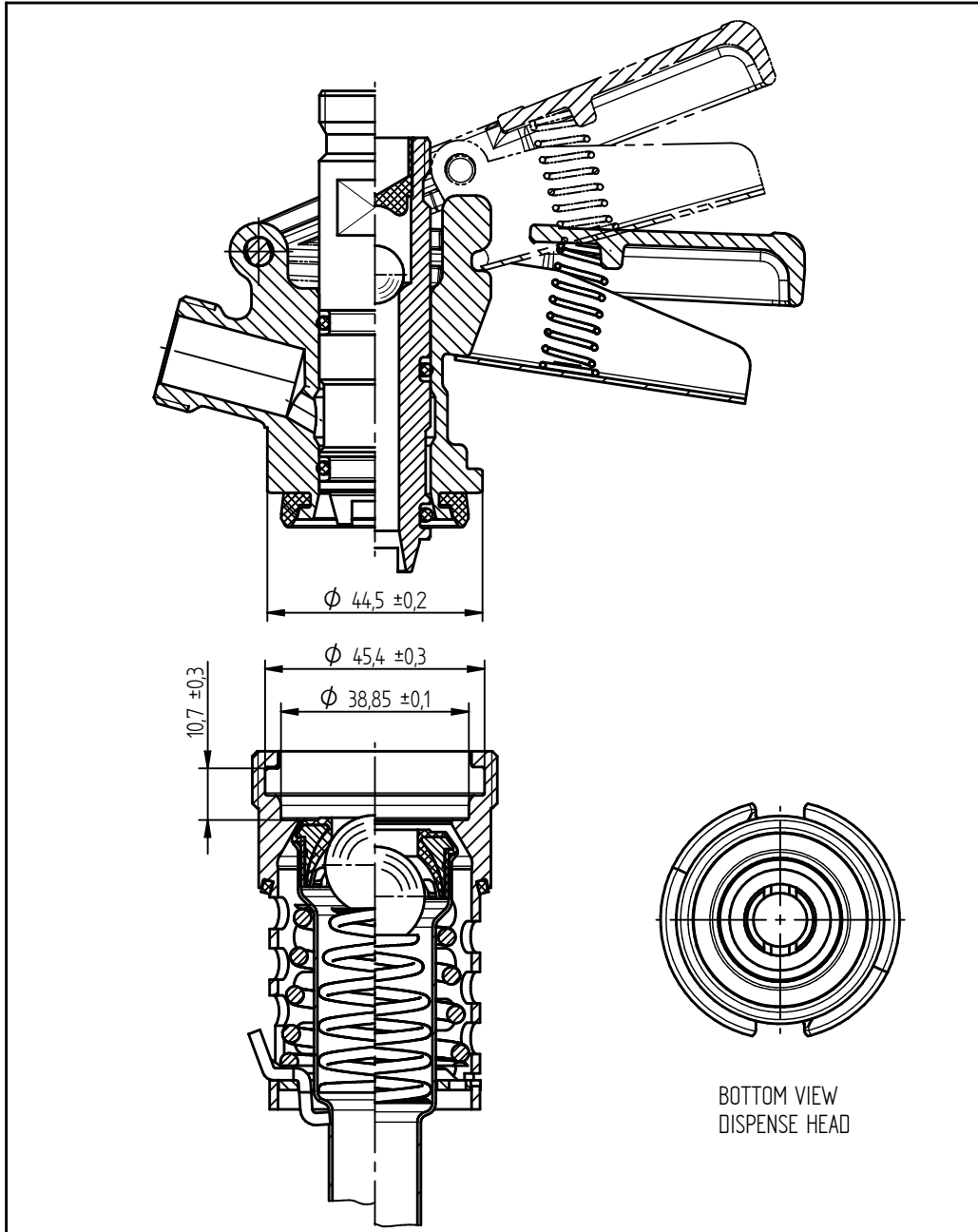
DSI Getrankearmaturen GmbH.  
 If in doubt, please ask.  
 Samples are required after each revision.

This drawing is the property of Dispense Systems International.  
 The information is confidential and should not be copied for  
 any other purpose without the prior written permission of

PRODUCT		REMARKS		ROUGHNESS	SCALE	WEIGHT VOLUME			
					MATERIAL				
			DATE	NAME	TITLE				
			DRAWN 19.06.2002	AH	Well-Type Connection System				
			APPR.						
			NORM						
			PROD. DEV.	DE					
C	updated	06.03.2013	Kunze			PROJ. METHOD	FORMAT	DRAWING NUMBER	SHEET
B	dimension 7,1 added	23.08.2002	AH				A4	D-184559	1
A	depth+slope dimensions added	14.08.2002	AH						2 SHTS.
$\Delta$	ALTERATIONS	DATE	NAME	ORIGIN	REPL.	REPL. BY			


# CONNECTION

## EXTRACTOR TUBE ET-WD-SI



DSI Getränkearmaturen GmbH.  
 If in doubt, please ask.  
 Samples are required after each revision.

This drawing is the property of Dispense Systems International.  
 The information is confidential and should not be copied for  
 any other purpose without the prior written permission of

PRODUCT		REMARKS		ROUGHNESS	SCALE	WEIGHT VOLUME	
					MATERIAL		
			DATE	NAME	TITLE		
			DRAWN	25.02.2013	kunze		
			APPR.				
			NORM				
			PROD. DEV.	DE			
				PROJ. METHOD	FORMAT	DRAWING NUMBER	SHEET
				REPL.			D-910433
							2 SHTS.
ALTERATIONS		DATE	NAME	ORIGIN	REPL.	REPL. BY	



### Germany

DSI Getränkearmaturen GmbH  
Oberster Kamp 20  
59069 Hamm

Phone: +49(0)2385 772 100

Fax: +49(0)2385 772 249

[sales@dsi-group.net](mailto:sales@dsi-group.net)

[www.dispensegroup.com](http://www.dispensegroup.com)



### USA

Taprite  
3248 Northwestern Drive  
San Antonio, Texas 78238

Phone: +1(210)523 0800

Fax: +1(210)520 3035

[sales@taprite.com](mailto:sales@taprite.com)

[www.taprite.com](http://www.taprite.com)



### United Kingdom

DSI Service Centre U.K.  
c/o Pegler Yorkshire  
ST Catherine's Avenue  
Doncaster, South Yorkshire, DN4 8DF

Phone: +44(0)1302 560 190

Fax: +44(0)1302 767 608

[sales-uk@dsi-group.net](mailto:sales-uk@dsi-group.net)

