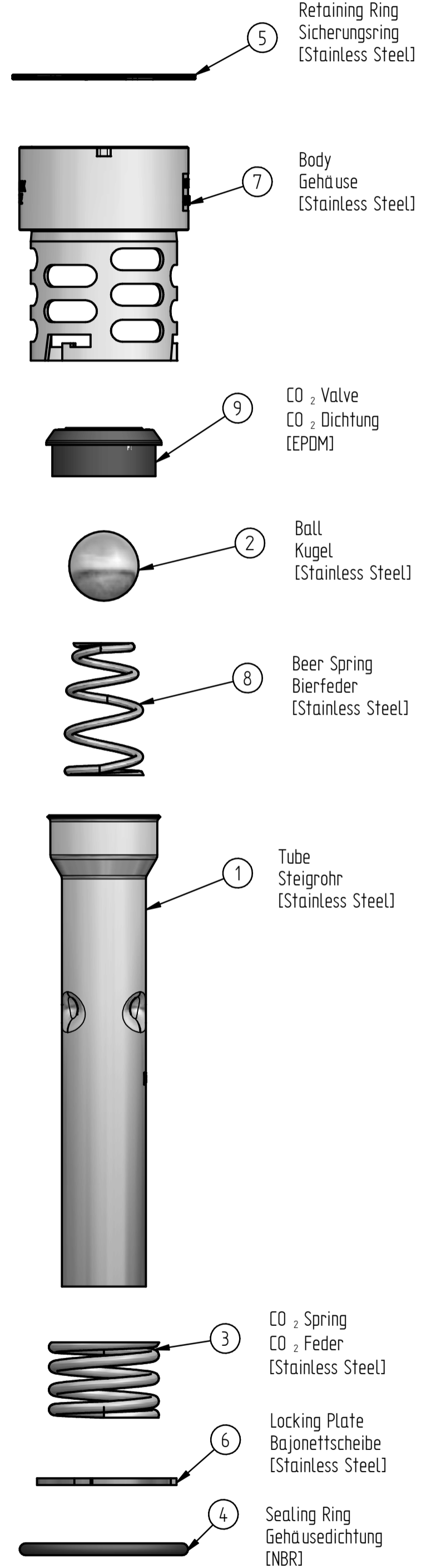
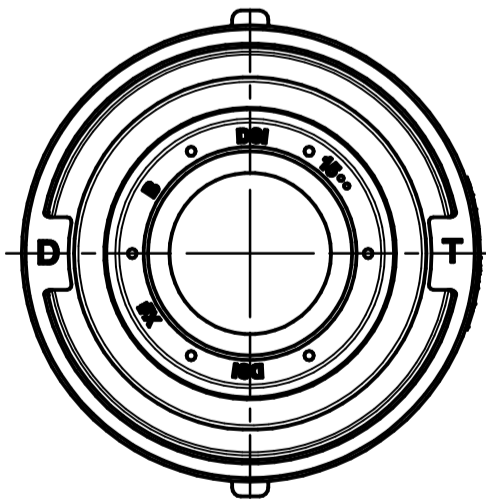
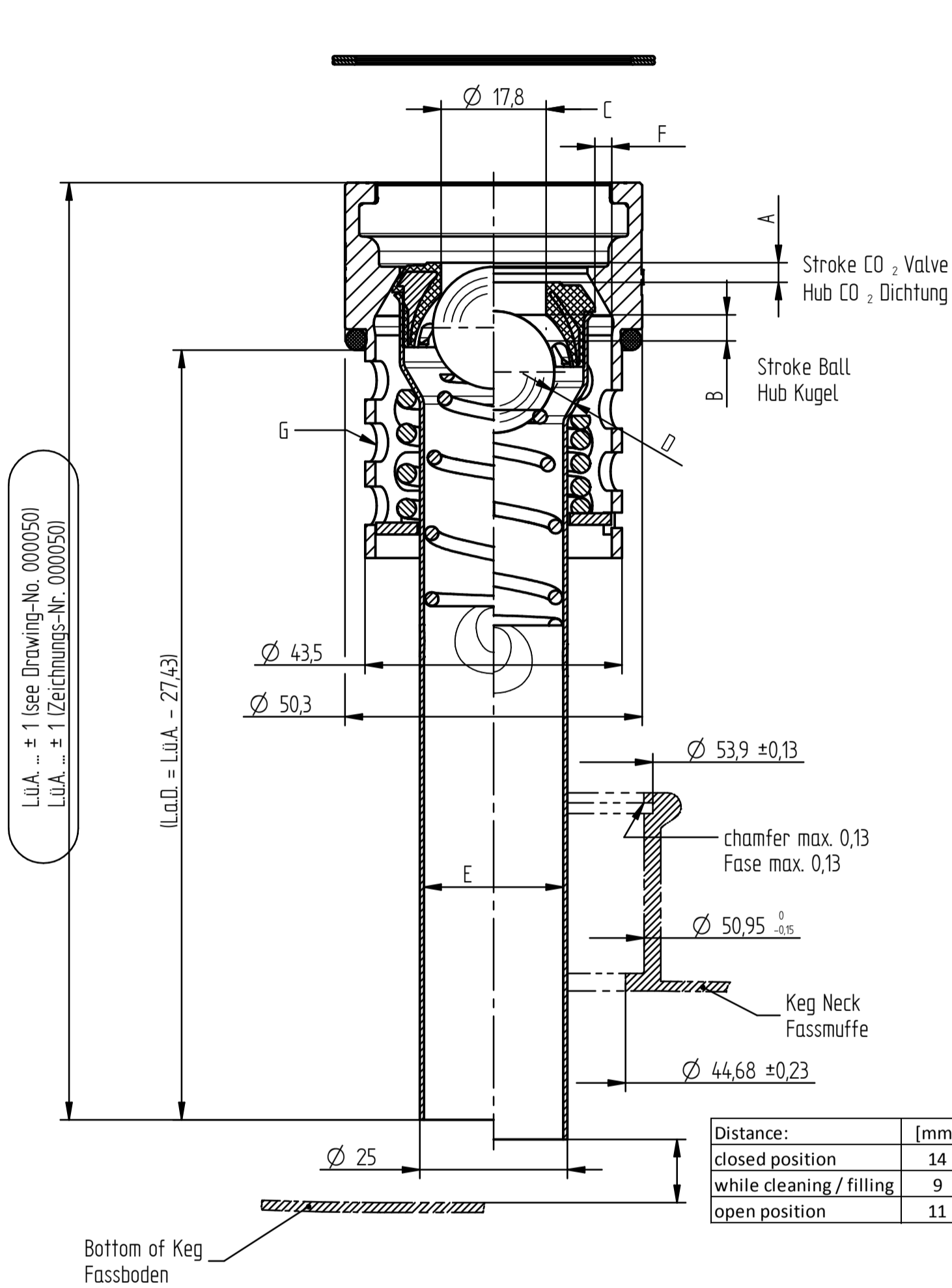


Product Information	Produktinformationen	Stroke and Passages	open Position	while Cleaning / Filling	Hub und Öffnungsquerschnitte	offene Position	während Reinigung / Befüllen	
according to DIN 6650 and FDA regulations	Produkt nach DIN 6650 und FDA Bestimmungen	CO ₂ valve + tube part 9 + part 1 - part 7	A	3 mm	CO ₂ Dichtung + Steigrohr Pos. 9 + Pos. 1 - Pos. 7	A	3 mm	4-6 mm
gastight	gasdicht	ball part 2 - part 9	B	4 mm	Kugel Pos. 2 - Pos. 9	B	4 mm	6,5-8 mm
for specific length calculation keg drawing or H3-dimension is needed according to DIN 6647	Für konkrete Längenberechnung wird die Keg-Zeichnung oder das H3-Maß nach DIN 6647 benötigt	inside the seal part 9	C	250 mm ²	innerhalb der Dichtung Pos. 9	C	250 mm ²	
mounting torque: -	Anzugsdrehmoment: -	through inner tube part 2 - part 1	D	280 mm ²	innerhalb des Steigrohres Pos. 2 - Pos. 1	D	280 mm ²	160~200 mm ²
temperature resistance short-time 160°C	Temperaturbeständigkeit kurzfristig 160°C	through inner tube Ø23,6 part 1	E	440 mm ²	innerhalb des Steigrohres Ø23,6 Pos. 1	E	440 mm ²	
for more information www.dispensegroup.com	für mehr Informationen www.dispensegroup.com	through outer tube part 7 - part 9	F	330 mm ²	außerhalb des Steigrohres Pos. 7 - Pos. 9	F	330 mm ²	
		in part 7	G	1660 mm ²	in Pos. 7	G	1660 mm ²	



weight calculation ± 5% / Gewichts Berechnung ± 5%

$$m [g] = (\text{L. ü. A. [mm]} - 40) * 0,419 \frac{g}{mm} + 300g$$

Pos.	Quantity	Art.-No.	Title
1	1	000041	Down Tube WD
2	1	026703.6	Ball
3	1	026705.8	CO ₂ Spring
4*	1	026708.0	O-Ring 40,87 x 3,53
5	1	026709.1	Retaining Ring
6	1	554352.7	Locking Plate
7	1	610342	Body WD
8	1	611056	Beer Spring
9	1	611060	CO ₂ Valve WD Blow-Off

PRODUCT		REMARKS	LAST CHANGE	SCALE	WEIGHT
WD Standard - Blow Off		DIN ISO 2768-mH ROUGHNESS DIN EN ISO 1302 EDGES DIN EN ISO 13715	1 x Δ	1,21 (1,125)	VOLUME
DESIGN	DATE	NAME	TITLE		
AM	10.04.2015	lasko	Master Extractor Tube W D		
3024					
DATE	DATE	NAME	TITLE		
20	21.12.2017	bentl			
20	21.12.2017	bentl			
C 611056 was 610552		19.12.2017	Bentl	3919	
B 611060 was 026704.7		15.05.2017	Kunze	3786	
A corrected rate of flow, added product name		13.09.2016	Lasko	3593	
ALTERATIONS		DATE	NAME	AM	PROD. DEV. GERMANY
PROJ. METHOD		FORMAT	DRAWING NUMBER	SHEET	
A2		A2	000043	1	
REPL. BY				1 SHTS	

This drawing is the property of Dispense Systems International. The information is confidential and should not be copied for any other purpose without the prior written permission of DSI Getränkeanlagen GmbH. If in doubt, please ask. Samples are required after each revision.